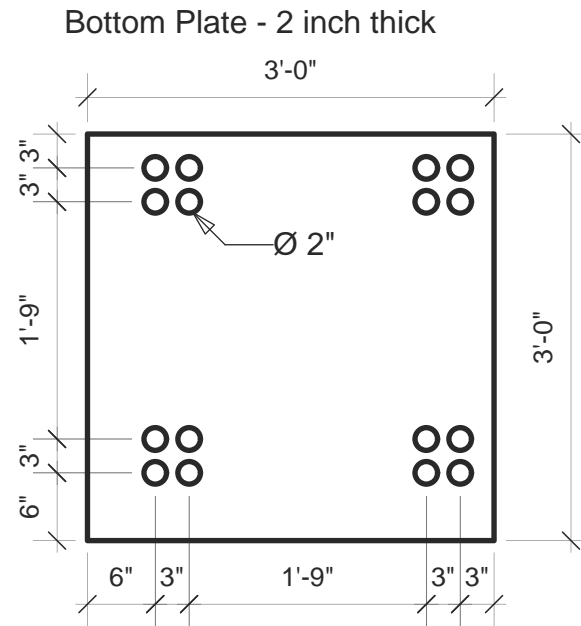
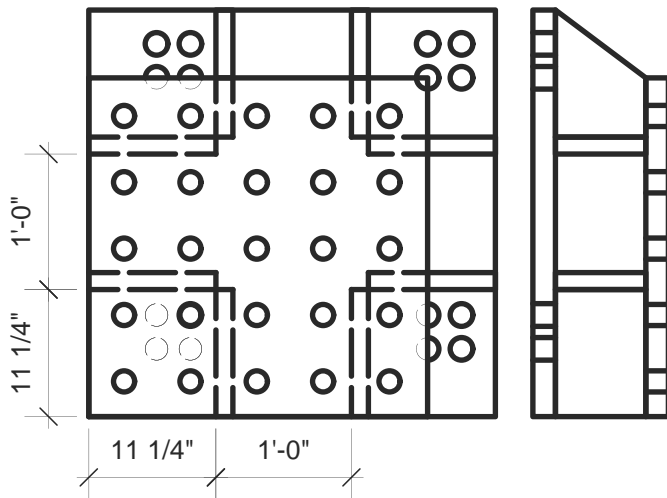
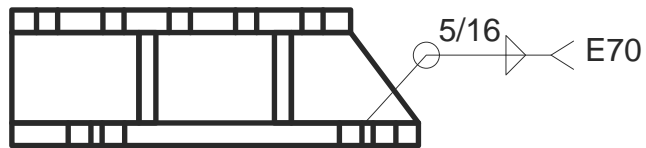


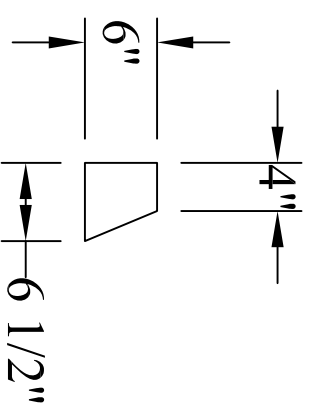
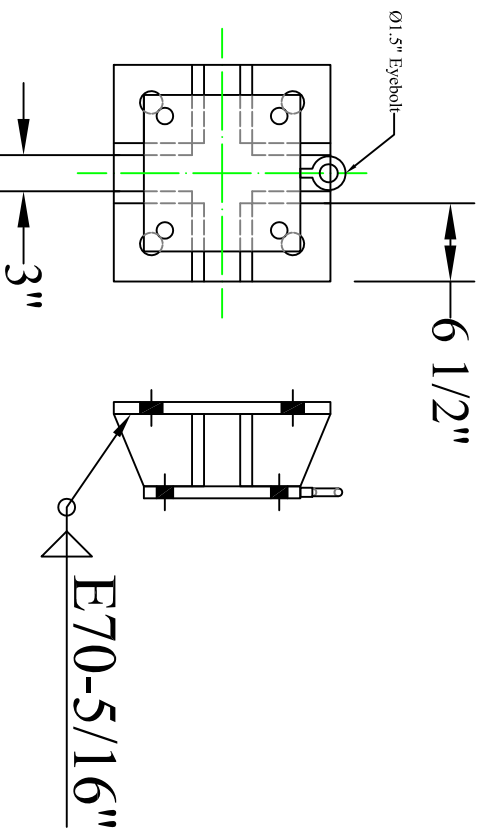
Note: All welds 5/16" fillet



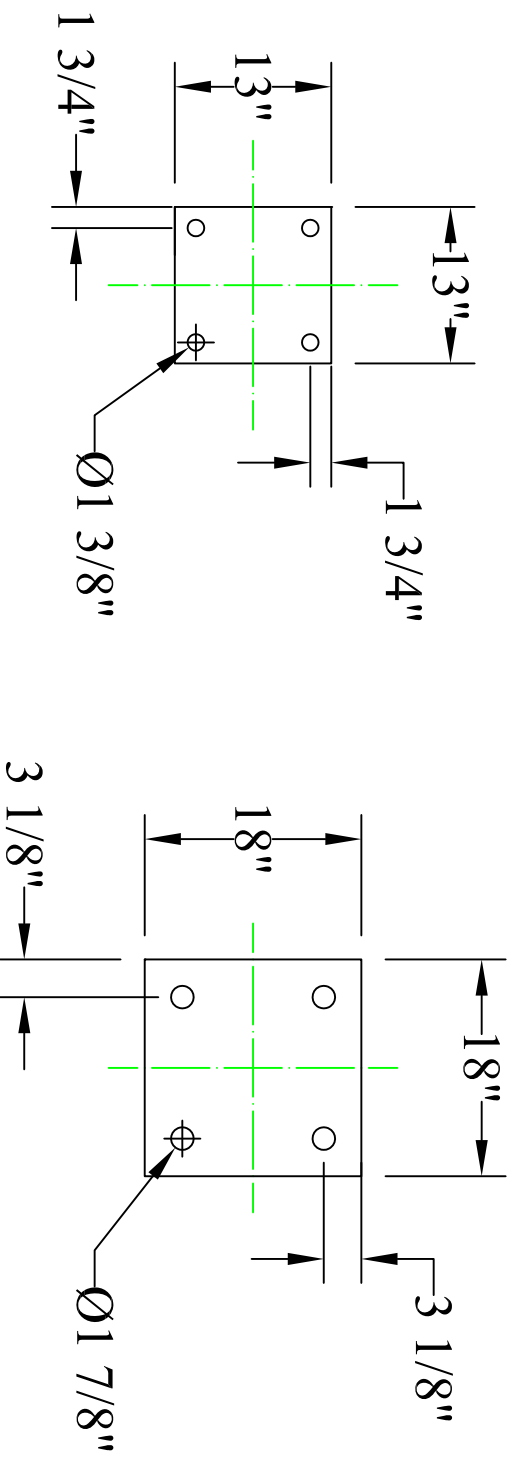
Standard Actuator Mounting Plate

One assembly, Grade 36

Actuator Adaptor Mounting Plate (Qty.=1)



Webs - 1" Thick
A36
all welds: E70 5/16 Fillet welds



Top Plate - 1" Thick
A36

Bottom Plate - 1" Thick
A36